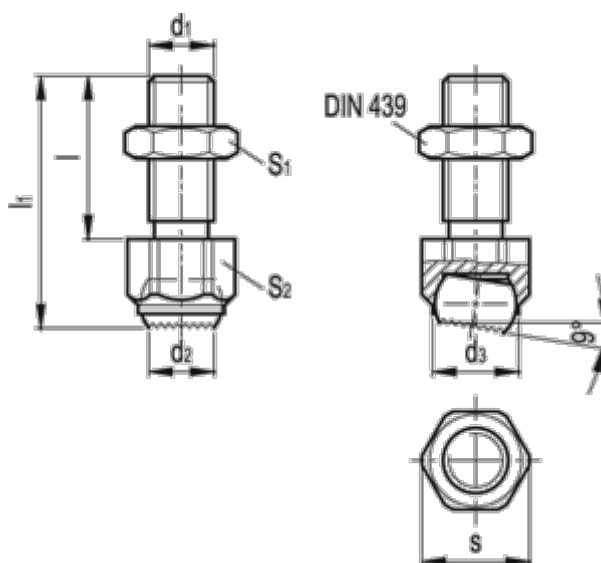


Article number: 20256440A

Description: E+G Clamping pad  
GN 709.3-30-M20-R

## Measures



d1	= M20	S2	= 30
d2	= 20.0	Weight (g)	= 230
d3	= 25.0		
l	= 50		
l1	= 77.3		
Max static load (KN)	= 90		
s	= 33		
S1	= 30		